

DIGILINK VIDEO TRANSPORT

DigiLink 2701 Single-Channel Fiber Optic Transport System
DigiLink 2701DX Extended Function Decoder Transport System



DigiLink 2701 Features:

Compact 1 RU chassis supports

- Transport of all 270 Mb/s video formats
 - SDI (SMPTE 259M)
 - SDTI (SMPTE 305M)
 - DVB-ASI
- Receiver functions as Repeater for all single channel DigiLink products
- AC or DC power
- Field replaceable fan

Superior transport quality

- Jitter Management
- Native transport of all digital formats

Flexible optics

- Standard -32dBm receiver sensitivity
- Laser cartridges (hot swappable)
 - 1310nm (0 dBm)
 - 1550nm (0 dBm)
 - 1550nm (+7 dBm)
 - DWDM (ITU standard channels 21-60)
- Supports Singlemode and Multimode Fiber

Plug-and-play installation and monitoring

- Front Panel Meters
 - Transmit wavelength (Transmitter)
 - Receiver Light Level (Receiver)
- LED status displays
 - Device status
 - Optical status
 - Video status
- Automatic standby signal provides continuous link monitor
- SNMP monitoring and configuration
- Dry contact relays

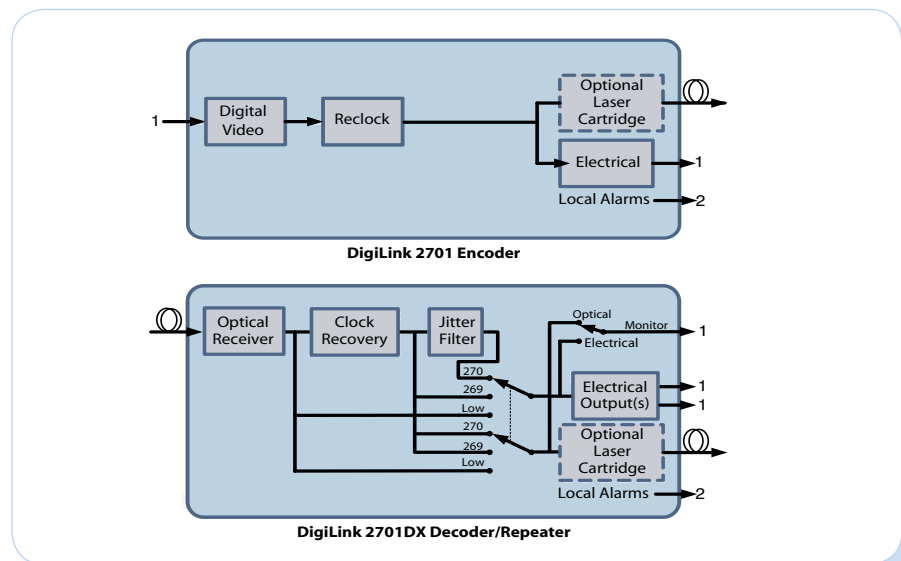
Renowned dependability

- Demonstrated 20 year mean time between failure (MTBF)
- NEBS Level 3 Certification

Artel's DigiLink 2701 is an innovative, cost-effective video over fiber transport system capable of transporting all Digital 270Mb formats including SDI (SMPTE 259M), SDTI (SMPTE 305M) and DVB-ASI for unrepeatd distances of up to 150km.

DigiLink 2701's rugged chassis, flexible optics, full featured front panel, and plug-and-play installation make it the ideal solution for video service providers and cable operators for contribution and backhaul applications. Jitter management with native format transport assures the video is transported with virtually zero latency covering distances of up to 150km. Distances over 150km are possible using the innovative DL2701DX receiver which can be configured as a repeater for all single channel DigiLink products. For fiber constrained applications DigiLink products feature ITU standard DWDM optics with up to 40 channels transported over a single fiber.

DigiLinks' reputation for reliability and transmission quality has made it the most requested product for video service providers and their customers for critical applications.



DigiLink 2701 Specifications

Power

AC Specifications

Input Voltage	90 to 254 VAC at 50 or 60 Hz
Current	1.0 Amp (max.)
Power Consumption BTU/hr	25 Watts (max.) <100

DC Specifications

Voltage	-38.4 to -57.6 VDC
Current	1.0 Amps (max.)
Power Consumption BTU/hr	25 Watts (max.) <100

Environmental

Ambient Operating Temperature	0 to 40°C, 32 to 104°F
Relative Humidity	10 to 95% (non-condensing)
Ambient Storage Temperature	-40 to 80°C, -40 to 176°F

Physical

Chassis Dimensions (H, W, D)	1.75" x 19.0" x 10.50" 4.44 cm x 48.26 cm x 26.67
Chassis Weight	6.0 lbs, 2.72 kg
Rack Mount Requirement	One 19" Rack Unit

ASI/SDI Ports

Transmitter	1 input port 1 active loop through output port
Receiver	2 output ports, 1 monitor port
Signal Format	SDI (SMPTE 259M, ITU 656), SDTI (SMPTE 305M), and DVB/ASI
Connectors	BNC, (75 ohm impedance)
Coupling	AC
Shield	Ground
Link Rate	270 Mb/s

LED Indicators

Transmitter	POWER ON, POWER FAIL, TEMP HIGH, LASER DEGRADE, LASER FAIL, ONLINE, SDI, LOCK LOST, LASER DISABLE
Receiver	ONLINE, POWER FAIL, TEMP HIGH, OPTICAL OVERLOAD, LOW LIGHT, OPTICAL CARRIER LOST, TRANSMITTER STANDBY, REPEATER

Switches

Transmitter	AUDIBLE ALARM OFF, LASER DISABLE
--------------------	-------------------------------------

Receiver	AUDIBLE ALARM OFF, DATA RATE, MONITOR SELECT
-----------------	---

Optical

Optical Connector	FC/PC
Connector Loss	0.25 dB (max)

Receiver

Receiver Sensitivity	-32 dBm (BER = 10 ⁻¹³)
Maximum Input	-1 dBm (operating)
Input Wavelength	1200 to 1600 nm
Input Aperture	50 microns (MMF and SMF compatible)

Optical Laser Cartridges

Optical Connector	FC/PC
Connector Loss	0.25 dB (max)
Fiber Type	SMF

WL-13

Optical Power Output	0 dBm (min)
Optical Wavelength	1310 ± 30 nm

WL-15

Optical Power Output	0 dBm (min)
Optical Wavelength	1550 ± 35 nm
Spectral Width	<0.8 nm FWHM

WL-21 through WL-60

Optical Power Output	0 dBm (min)
Optical Wavelength	ITU Grid ± 0.1 nm
Spectral Width	<0.8 nm FWHM

WL7-21 through WL7-60

Optical Power Output	+7.0 dBm (min)
Optical Wavelength	ITU Grid ± 0.1 nm
Spectral Width	<0.8 nm FWHM

Regulatory Conformance

Compliance: NEBS Level 3, CE (EN50082-1, EN89/336/EEC)
Safety: UL, CSA, EN60950, LVD 73/23/ECC, IEC Class 1 Laser Device
EMI: FCC (Part 15, Class A), ICE3-003, EN50022, CISPR22 (Class A)

Ordering Information

Part Number	Description
390-000691-00	DL2701 Transmitter, AC Input
390-000691-48	DL2701 Transmitter, -48VDC Input
390-500693-00	DL2701 Receiver/Repeater, AC Input
390-500693-48	DL2701 Receiver/Repeater, -48VDC Input

Note: Specifications are subject to change without notice.

