

DLC274

DL4000 VIDEO TRANSPORT SYSTEM

270Mb/s Digital Video 4-to-1 TDM Multiplexer/De-multiplexer Module



Features

Single Slot Card Set

Transport four 270Mb/s video circuits on a single optical wavelength

- Support any combination of:
 - SD-SDI (SMPTE 259M-C, ITU 656)
 - SDTI (SMPTE 305M)
 - DVB-ASI
 - Other 270Mb/s services
- Use with DLC170 for Composite Analog Transport
- Full reclocking removes jitter from SDI

Industry Standard 1.485Mb/s output Space Efficient

- Utilizes one slot in the DL4000 Video
- Transports up to 16 video circuits per rack unit

External Accessible SFP Transceiver Optics

- Optical budget to 34dB
- WDM (1310nm, 1550nm)
- CWDM ITU G.694.2 (Channels 27-61)
- DWDM ITU G.694.1 (Channels 21-60)

Multiple Monitoring Options

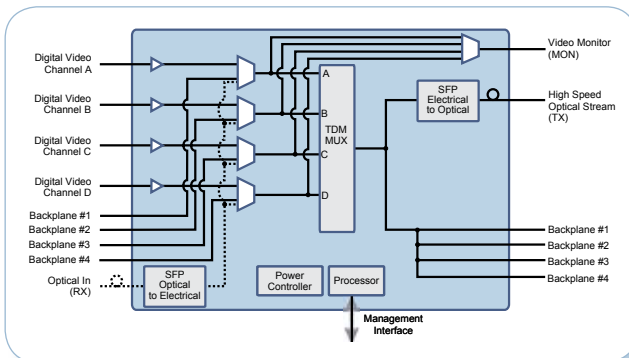
- Switch selectable front panel monitor of individual channels (Mini 75ohm SMB)
- Front and rear panel status LEDs
 - Loss of video (individual channels)
 - Loss of optical input
 - Laser (SFP) fail

Remote Management via DL-Manager

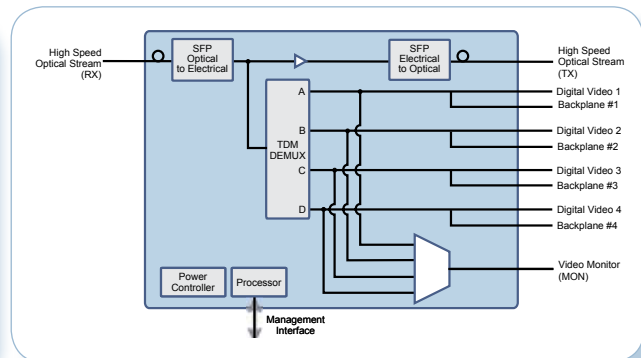
- No external software required
- HTTP or SNMP v2
- Monitor
- Configure
- Upgrade firmware

The DLC274 utilizes Time Division Multiplexing (TDM) to combine four independent 270Mb/s video signals into one optical channel. This enables transport of up to 160 270Mb/s service over a single fiber making it ideal for conserving both fiber and rack space.

Artel's DLC274 provides a space efficient and cost effective method of transporting four multiple mixed format video services over a single optical wavelength. Four DLC274 modules fit in a DL4000 chassis for transporting up to 16 circuits in a single rack unit of space. Optical regeneration or repeating is accomplished by using the cost effective DLC100 and 1310nm, 1550nm, CWDM, or DWDM in Small Form-Factor Pluggable (SFP) optics that are available for transporting up to 160 circuits can be over a single fiber.



DLC274M



DLC274D

DLC274 Specifications

Environmental

Operating Temperature of DL4000 Chassis	0 to 50°C
Ambient Storage Temp	-40 to 80°C
Relative Humidity	10 to 95% (non-condensing)
Power Dissipation	<10 watts

Physical

Dimensions	0.8" x 5" x 10.8"
1 slot in DL4000 chassis	

Optical Interface

Artel Video SFP See SFP Specification Sheet

Electrical Interface

270Mb/s Signal Formats

- SD-SDI (SMPTE 259M-C, ITU 656)
- SDTI (SMPTE 305M)
- DVB-ASI
- Others 270Mb/s services (± 100 ppm)

Signal Polarity Non Inverting

Electrical Interface (continued)

Channels	4
Connectors	
Input (4)	BNC 75ohms (DLC274M)
Output (4)	BNC 75ohms (DLC274D)
Monitor	Mini 75ohms SMB
Return Loss	>15 dB, 5-270 MHz

Regulatory Conformance

Compliance: NEBS Level 3, CSA 60950, EN60950, EN55022, FCC Part 15 (Class A), CISPR 22

Ordering Information

Model	Description	Part #
DLC274M	270Mb/s SDI/ASI Video 4-to-1 TDM Multiplexer	390-008020-00
DLC274D	270Mb/s SDI/ASI Video 1-to-4 TDM De-multiplexer	390-008030-00

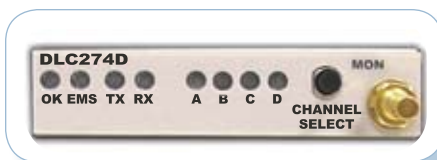
Optics Small Form Pluggable (SFP)

Model	Description	Part #
DLS31VX-11	Video SFP 1310nm Transceiver 11dB	393-021310-11
DLS31VX-30	Video SFP 1310nm Transceiver 30dB	393-021310-00
DLS55VX-30	Video SFP 1550nm Transceiver 30dB	393-021550-00
DLSCxxVX-30	Video SFP CWDM Transceiver 30dB <i>Available in 8 CWDM channels.</i>	393-041xx1-00
DLSWxxHX-33	2.5Gb/s SFP DWDM Transceiver 33dB <i>Available in channels 21-60</i>	393-240033-xx

Monitor Cable

Model	Description	Part #
DL100MC-72	Monitor Cable, Mini 75 ohm SMB to BNC, 72"L	396-001001-00

Note: Specifications are subject to change without notice.



Front panel monitoring and status displays



Four BNC electrical connections plus LC fiber optics



SFP Optics
(Small Form-Factor Pluggable)