



DIGILINK DLC410 FUNCTION MODULE



**DVB-ASI and SD-SDI
Video-Over-IP Gateway**

**Installation and Operations
Manual**



DLC410 Function Module

DVB-ASI and SD-SDI Video-Over-IP Gateway

Installation and Operations Manual

Document Number: AR200-008410-D00_D
Released: December, 2016



COPYRIGHT

This manual is produced and copyrighted by Artel Video Systems Corporation. Any use or reproduction of the contents of this manual without the prior written consent of Artel Video Systems Corporation is strictly prohibited.

NOTICE

All title and copyrights to this document are owned by Artel Video Systems Corporation. No part of the contents of this document may be reproduced or transmitted in any form or by any means without the written permission of Artel Video Systems Corporation.

Artel Video Systems Corporation shall not be liable for errors contained herein. Artel Video Systems Corporation shall not be liable for any damages whatsoever, including, without limitation, damages for loss of business profits, business interruption, loss of business information, or other pecuniary loss arising out of the use of this documentation even if Artel Video Systems Corporation has been made aware of the possibility of such damages.

Information contained in this document is subject to change without notice. While every effort is made to ensure that the information is accurate as of the publication date, users are reminded to update their use of this document with documents published by Artel Video Systems Corporation subsequent to this date. Updates may be available at www.artel.com or by contacting Artel Video Systems Corporation.

Third-party product information is for informational purposes only, and constitutes neither an endorsement nor a recommendation. Artel Video Systems Corporation assumes no responsibility with regard to the performance of the third-party products.

Copyright © 2016 by Artel Video Systems Corporation
ALL RIGHTS RESERVED
Printed in U.S.A.

Artel Video Systems Corporation
5B Lyberty Way
Westford, MA 01886
(978) 263-5775
www.artel.com

Revision history for the *DLC410 Function Module Installation and Operations Manual*.

Revision History			
Revision	Document Number	Date	Reason for Change
A	AR200-008410-C00_A	May, 2012	Initial release.
B	AR200-008410-D00_A	December, 2014	Updates include DL Manager updates to configuration and monitor functions.
C	AR200-008410-D00_B	February, 2016	Updated Artel logo.
D	AR200-008410-D00_D	December, 2016	Updated images and copy.



Table of Contents

About This Manual

Audience.....	ix
Related Documentation	ix
Symbols and Conventions.....	x
Artel Customer Service	x

DLC410 Function Module

Information About the DLC410	1
DLC410 Module Functional Description	2
Video Network Input to IP Network Output	3
IP Network Input to Video Network Output	4
Electrical Inputs and Outputs	4
Optical Inputs and Outputs.....	5
Ethernet Interface Characteristics	5
Overview of the DLC410 Module	6
Installing the DLC410 Module	8
Cabling the DLC410 Module	10
Cabling the BNC Video Network Electrical Connections.....	10
Cabling the SFP IP Network Connections.....	10
Cabling Optical SFP Connections.....	10
Cabling Electrical SFP Connections	11
Configuring the DLC410 Module	11
Labeling the DLC410 Interfaces	15
Monitoring the DLC410 Module Operation	16
Monitoring the DLC410 Status Using the Front Panel.....	16
Understanding the Status LEDs	17
Using the Monitor Jack.....	18
Monitoring the DLC410 Status Using DL Manager	18
Monitoring the DLC410 Statistics Using DL Manager	21
Monitoring the DLC410 Diagnostics Data Using DL Manager	22
Rebooting the DLC410 Module	22
Removing the SFP and DLC410 Module.....	23
Removing the SFP.....	23
Removing the DLC410 Module	23

Index



About This Manual

This manual provides instructions for installing, configuring, and operating the DLC410 function module.

Audience

This manual is intended for the following trained and qualified service personnel who are responsible for installing and operating the DLC410:

- System installer
- Hardware technician
- System operator

Related Documentation

The following documentation contains material related to the DLC410 function module:

Document	Provides ...
<i>DLC410 Data Sheet</i>	Product operating and environmental specifications, and regulatory conformance information.
<i>DLC410 Quick Start Guide</i>	Product configuration information using the DigiLink Manager element management system and descriptions of the front panel status LED operations.
<i>DigiLink Media Transport Platform Installation and Operations Manual</i>	Overview and installation instructions for the DigiLink media transport platform chassis options, including the following: <ul style="list-style-type: none">• DL4360X chassis—Installation of this 12-slot chassis, power supplies, switch module, and function modules.• DL4300 chassis—Installation of this 12-slot chassis, power supplies, and function modules.• DL4000 chassis—Installation of this 4-slot chassis, power supplies, and function modules.
<i>DigiLink Media Transport Platform Data Sheet</i>	Overview of the DigiLink media platform chassis options.
<i>DigiLink Manager Setup and Operations Manual</i>	Overview and operating instructions for the DigiLink Manager element management system.

Symbols and Conventions

This manual uses the following symbols and conventions.

Caution

A caution means that a specific action you take or fail to take could cause harm to the equipment or to the data transmission.



Warning

A warning describes an action you take or fail to take that could result in death, serious physical injury, or destruction of property.

Note: Important related information, reminders, and recommendations.

Italics—used for emphasis, for indicating the first occurrence of a new term, and for book titles

1. Numbered list—where the order of the items is important
 - Bulleted list—where the items are of equal importance and their order is unimportant

Artel Customer Service

You can reach Customer Service by e-mail at customer care@artel.com or by telephone:

In the US call (800) 225-0228, then select 1 for technical support.

Outside the US call (978) 263-5775, then select 1 for technical support.

When requesting assistance, please be ready to provide the following information:

- Your name and telephone number
- Product model and serial number
- Brief description of the problem
- List of symptoms
- Steps you have already taken to try to resolve the problem

If the product is damaged

If any portion of the unit is damaged, forward an immediate request to the delivering carrier to perform an inspection of the product and to prepare a damage report. Save the container and all packing materials until the contents are verified.

Concurrently, report the nature and extent of the damage to Artel Customer Service so that action can be initiated to either repair or replace the damaged items.

Do not return any items to Artel until you obtain instructions from Customer Service.

Report the problem or deficiency to Customer Service along with the model number and serial number. Upon receipt of this information, Artel will provide service instructions, or a *Return Authorization Number* and shipping information.

DLC410 Function Module

DVB-ASI and SD-SDI Video-Over-IP Gateway

Information About the DLC410

This manual introduces the DLC410 function module and includes information for installing and configuring the module. The DLC410 is an IP transport module that can transmit and receive 270 Mb/s SDI or ASI video signals over 1 Gigabit Ethernet (GbE) networks that meet SMPTE 2022-1, 2022-2, 2022-5, and 2022-6 standards for video transmission over IP networks. The DLC410 supports two full duplex SDI or ASI video circuits using dual input and output BNC connectors. The managed IP network connection is made using a Small Form Factor Pluggable (SFP) module.

Additional supported features include:

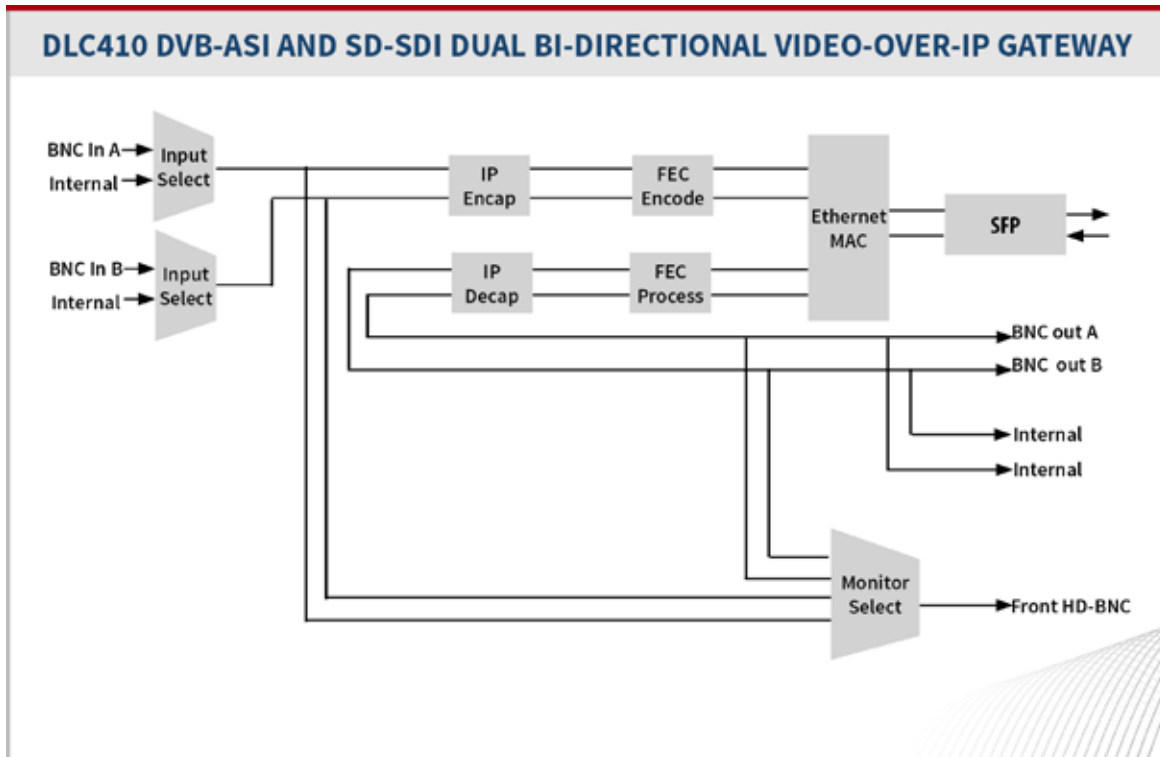
- User-selectable ASI or SDI module operation
- Multicast or unicast operation
- Configurable forward error correction (FEC) for recovery of dropped or corrupted packets
- Configurable tolerance level for late arriving packets
- Withstands burst outages in excess of 3 ms
- Artel-approved SFPs available to support the following connection types:
 - Optical—Supports 1000Base-LX and 1000Base-ZX formats and WDM, CWDM, and DWDM wavelengths
 - Electrical—Supports 1000Base-T format
- Standard 1000Base-X (IEEE802.3z) methods to indicate the presence of the fiber optic link but no active data being transmitted

You provision and monitor the DLC410 using Artel's DL Manager (DL Manager), which is an element management system (EMS). You can also monitor the DLC410 operating status using the module's status indicators and front panel monitor jack.

DLC410 Module Functional Description

This section provides a functional description of the DLC410. [Figure 1](#) shows the functional block diagram for the DLC410.

Figure 1. DLC410 Module Functional Block Diagram



This section contains the following topics:

- [Video Network Input to IP Network Output \(page 3\)](#)
- [IP Network Input to Video Network Output \(page 4\)](#)
- [Electrical Inputs and Outputs \(page 4\)](#)
- [Optical Inputs and Outputs \(page 5\)](#)
- [Ethernet Interface Characteristics \(page 5\)](#)

Video Network Input to IP Network Output

This section describes how the DLC410 receives a signal from the video network and processes the signal for output to a managed IP network (see [Figure 1](#)).

Video Network Input

The DLC410 accepts SDI or ASI video signals from the following sources:

- Two 75 Ohm BNC input connectors—Located on the rear panel of the module, these are the most commonly used inputs. The connectors are labeled INA and INB and each one is dedicated to a specific video channel: CHA or CHB.
- Another chassis module—Signals from other modules in the host chassis can be received through the backplane.

You select the digital video source using DL Manager (see the “[Configuring the DLC410 Module](#)” section on [page 11](#)). The DLC410 blocks any video signals that are not of the type selected to process (either SDI or ASI). When no input signal is present, the front panel’s corresponding IN status LED illuminates yellow (solid) when the video channel is enabled.

The video input is also made available at the front-panel monitor jack, which is a 75 Ohm HD-BNC connector that allows you to monitor the input and output video signals.

Video Processing

To prepare the input video for transportation over an Ethernet network, the DLC410 processes the input signal from the video network in accordance with SMPTE 2022-1/2/5/6 as follows:

Real-time Transport Protocol (RTP) Encapsulation—Video packet payload and header are encapsulated in RTP packets.

1. FEC Encoding and Encapsulation—(Optional) FEC is applied and the RTP packets are encapsulated in FEC packets.
2. User Datagram Protocol (UDP) and IP Encapsulation—FEC packets are encapsulated in UDP packets, which are then encapsulated in IP packets.
3. Ethernet MAC—IP packets are encapsulated in Ethernet packets.

[Figure 2](#) shows a model of encapsulated video packets ready for transmission over an Ethernet network.

Figure 2. Encapsulating Video Packets for Ethernet Networks



IP Network Video Output

The DLC410 transmits encapsulated video to the managed IP network using an SFP.

IP Network Input to Video Network Output

This section describes the process by which the DLC410 receives encapsulated video signals from a managed IP network and outputs the decapsulated video signals to a video network (see [Figure 1](#)).

IP Network Input

The DLC410 receives encapsulated video from the managed IP network using an SFP, which can be:

- Optical—LC connector with optics that support WDM, CWDM, or DWDM wavelengths.
- Electrical—RJ45 connector.

Video Processing

The DLC410 processes the SMPTE 2022-1/2/5/6 from the IP network as follows:

1. Ethernet MAC—Ethernet header and trailer are removed from the IP packets.
2. IP and UDP Decapsulation—IP header and then the UDP header are removed.
3. FEC Decoding and Decapsulation—(Optional) FEC is applied to recover lost packets.
4. RTP Decapsulation—RTP header is removed.

Video Network Output

The DLC410 outputs the decapsulated SDI or ASI video signals to the following destinations:

- Two 75 Ohm BNC output connectors—Located on the rear panel of the module, these are the most commonly used outputs. The connectors are labeled OUTA and OUTB and each one is dedicated to a specific video channel: CHA or CHB.
- Another chassis module—Output signals can be transmitted to other modules in the chassis through the backplane connector.

You select the digital video destination using DL Manager (see the [“Configuring the DLC410 Module” section on page 11](#)).

The video output is also made available at the front-panel monitor jack, which is a 75 Ohm HD-BNC connector that allows you to monitor the input and output video signals.

Electrical Inputs and Outputs

The DLC410 uses the following electrical inputs and outputs:

- Rear panel BNC connectors.
- Backplane connector.
- Rear panel SFP socket that can accommodate an electrical SFP with RJ45 connector (if an optical SFP is not used).
- Front-panel monitor jack, which is a 75 Ohm HD-BNC connector that allows you to monitor the input and output video signals.

Optical Inputs and Outputs

A single SFP socket provides the DLC410 optical Ethernet interface (if an electrical SFP is not used). The optical SFP modules use LC connectors. Optical performance is dependant on the quality of your optical fiber and fiber interconnects and on the selected SFP module, which must be specifically qualified by Artel. Consult Artel for available SFP options.

Ethernet Interface Characteristics

The DLC410 Ethernet interface characteristics are as follows:

- Operates with 1 GbE full-duplex Ethernet only.
- Supports Internet Protocol version 4 (IPv4) only (IPv6 is not supported).
- Supports the following networking protocols: ARP, ICMP, IP, UDP, TCP, and RTP.
- Employs static IP addresses for the video and control IP addresses (DHCP is not supported). Transmit channels A and B each have a dedicated, user-defined IP address or multicast group specification register. Receive channels A and B each have one user-defined receive IP address or receive multicast group register and a multicast source IP address register.

Note: Artel ships the DLC410 configured with a set of default IP addresses and port numbers. You must configure these items with values that are specific to your IP network (see the [“Configuring the DLC410 Module” section on page 11](#)).

Overview of the DLC410 Module

This section provides an overview of the major components that make up the DLC410.

Figure 3. DLC410 Module Major Components

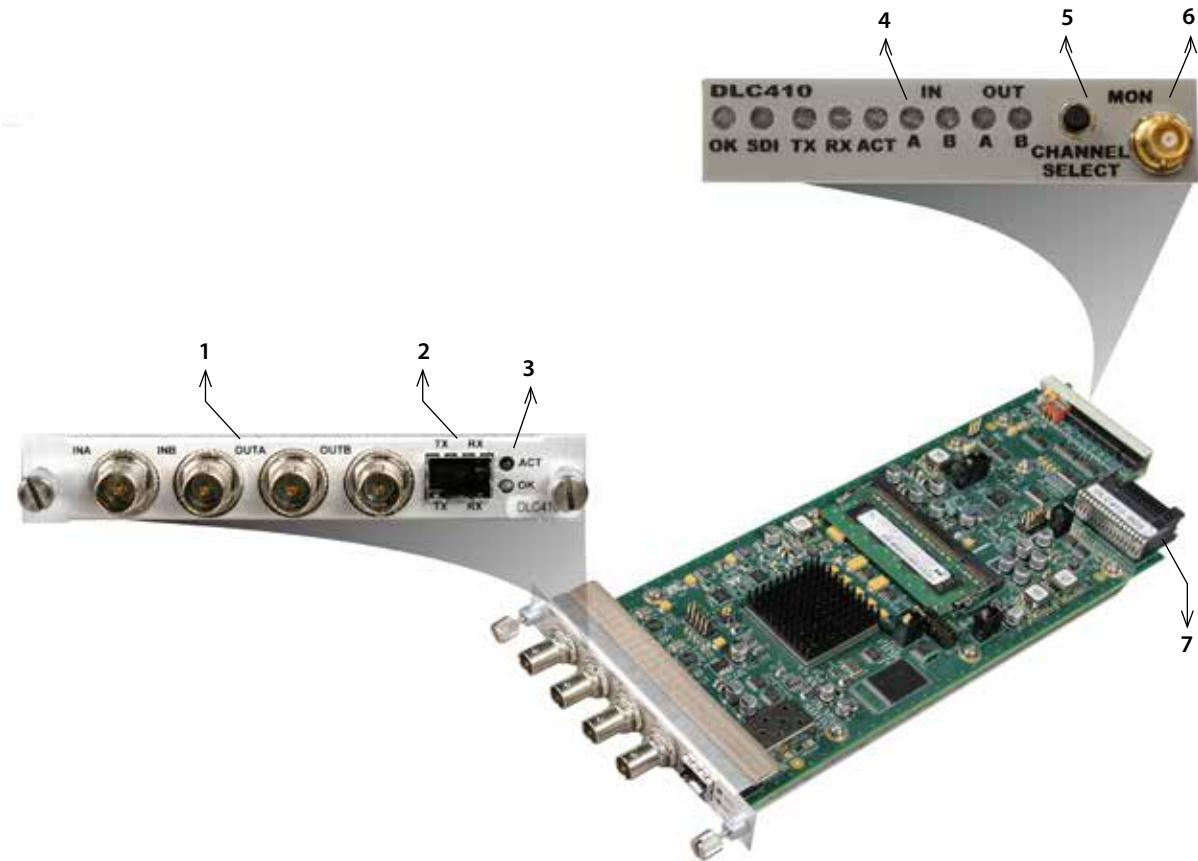


Table 1 describes the components called out in Figure 3.

Table 1. DLC410 Elements

Item	DLC410 Element	for details, see...
1	BNC connectors for receiving and transmitting SDI or ASI video as follows: <ul style="list-style-type: none"> • INA—Input channel A • INB—Input channel B • OUTA—Output channel A • OUTB—Output channel B 	Cabling the BNC Video Network Electrical Connections (page 10)
2	SFP socket for the following optical or electrical connections: <ul style="list-style-type: none"> • TX—Transmit • RX—Receive 	Cabling the SFP IP Network Connections (page 10)

Table 1. DLC410 Elements (Continued)

Item	DLC410 Element	for details, see...
3	Rear panel status LEDs: <ul style="list-style-type: none"> • ACT—SFP Ethernet port status indicator • OK—Alarm indicator 	Understanding the Status LEDs (page 17)
4	Front panel status LEDs: <ul style="list-style-type: none"> • OK—Alarm indicator • SDI—Video type indicator (SDI-On/ASI-Off) • TX—SFP transmit status indicator • RX—SFP receive status indicator • ACT—SFP Ethernet port status indicator • IN—Receive signal status indicators for channels A and B • OUT—Transmit signal status indicators for channels A and B 	Understanding the Status LEDs (page 17)
5	Front panel Channel Select switch—Allows you to select the receive or transmit signal to monitor or reset the module.	Using the Monitor Jack (page 18)
6	Front panel monitor 75 Ohm HD-BNC output jack.	
7	Backplane connector—Provides power to the module, allows the module to share signals with other function modules, and is used for alarm and management signals.	N/A

Installing the DLC410 Module

The DLC410 and associated SFP are hot swappable, enabling you to safely install them while power is applied to the host chassis.

Note: Before you install the DLC410, see the DLC410 data sheet for a detailed description of the module specifications including environmental requirements that you must adhere to when installing the module.

To install the DLC410 in the host chassis, perform the following steps:

1. From the back of the chassis (see [Figure 4](#)), remove the two screws that secure the blank tray to one of the unused function module slots (if necessary).

You can use any available function module slot.

2. Slide the DLC410 into the slot using the printed circuit board guide rails on either side of the slot.
3. Push the DLC410 in until it is firmly seated into the backplane and flush with the chassis.
4. Tighten the two mounting screws that secure the module to the chassis.

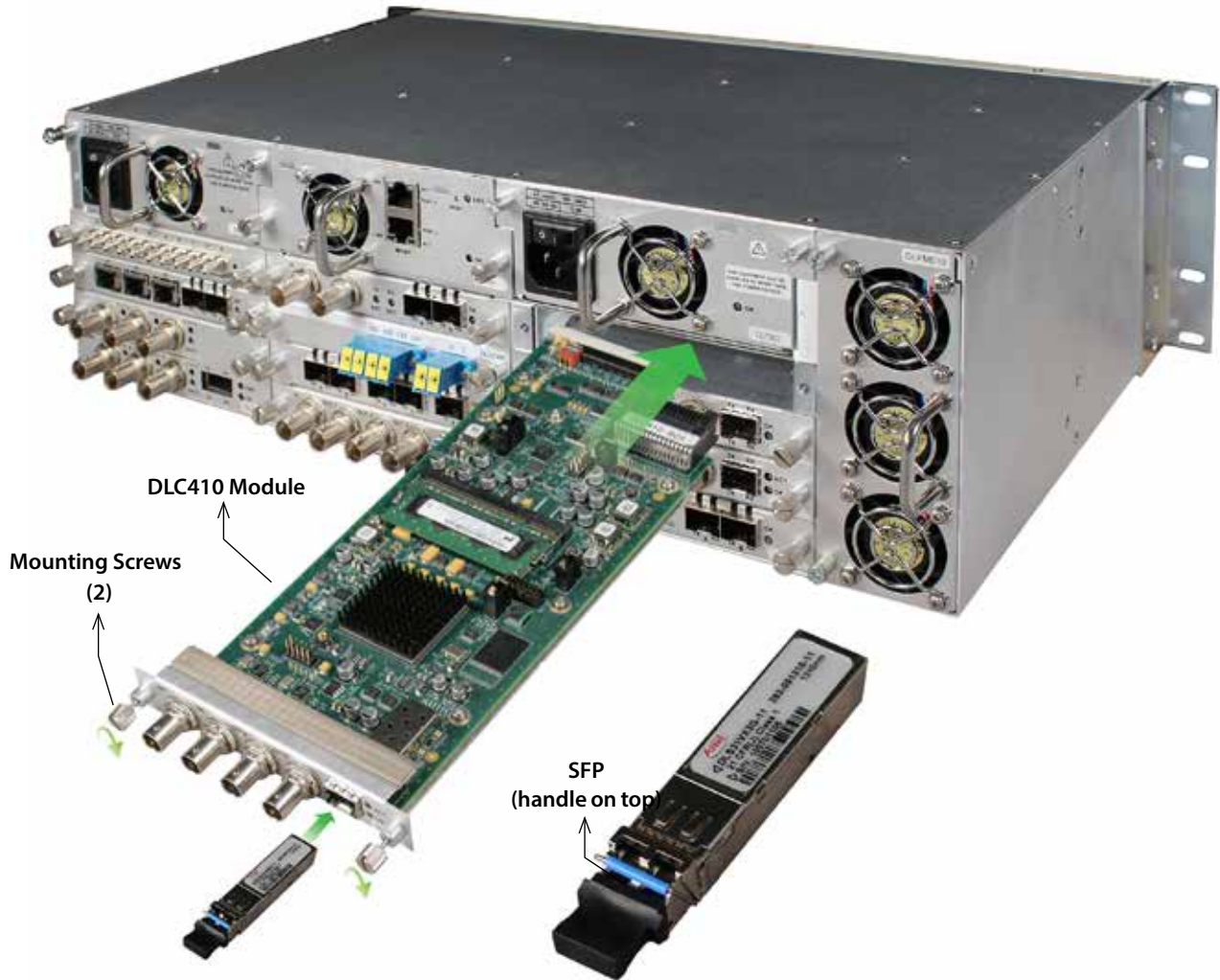
Note: Failure to properly secure the DLC410 to the chassis with the two mounting screws can result in disconnecting the module from the backplane when you attach a cable to the monitor connector located on the front panel.

5. Install the Artel-approved SFP into the DLC410 with the handle on top as shown in [Figure 4](#).

Push the SFP into the socket located on the right side of the function module until it is firmly seated in the socket.

Note: When you do not install an SFP, the TX LED located on the DLC410 front panel will flash. See [Table 5](#) for other LED status indications

Figure 4. DLC410 Module Installation



Note: Insert a blank tray in any unused chassis module slots to maintain proper ventilation.

Cabling the DLC410 Module

The DLC410 can transmit and receive video network signals over the BNC electrical cable connections. For IP network connectivity, the DLC410 transmits and receives signals through an SFP using either electrical (copper) or fiber optic cable connections. The cabling configuration that you use depends on your application. All external connectors are located on the rear panel of the DLC410.

Figure 5. DLC410 BNC Connectors and SFP Socket



Note: When handling fiber optic cables, adhere to the standard safety practices for handling a Class 1 laser product.

This section contains the following topics:

- [Cabling the BNC Video Network Electrical Connections \(page 10\)](#)
- [Cabling the SFP IP Network Connections \(page 10\)](#)

Cabling the BNC Video Network Electrical Connections

Use a high quality 75 Ohm precision video coax cable, such as Belden 1694A cable, when cabling to the DLC410 BNC connectors.

Cabling the SFP IP Network Connections

The type of SFP that you use determines whether you are connecting to the managed IP network using an electrical or an optical connection.

This section contains the following topics:

- [Cabling Optical SFP Connections \(page 10\)](#)
- [Cabling Electrical SFP Connections \(page 11\)](#)

Cabling Optical SFP Connections

Use a single mode fiber when connecting to the LC connectors of the DLC410 SFP.

To cable the optical connections, perform the following tasks:

1. Remove the SFP safety plug that protects the TX and RX ports.
Cover any unused optical port to keep the port clean.
2. Cable the optical connections as follows:
 - Receive signal—Connect the fiber optic cable between the IP network optical transmit connector and the SFP receive optical connector (RX) on the DLC410.

- Transmit signal—Connect the fiber optic cable between the IP network optical receive connector and the SFP transmit optical connector (TX) on the DLC410.

Cabling Electrical SFP Connections

To connect to the SFP's RJ45 connector, use a CAT5e cable.

Configuring the DLC410 Module

This section describes how to configure the operation of the DLC410 using DL Manager.

Prerequisites

- You must use DL Manager to configure the DLC410. Refer to the *DigiLink Media Transport Platform Installation and Operations Manual*.
- Your network administrator must provide you with the following items for configuring the DLC410 IP network connection:
 - IP Address
 - Netmask
 - Gateway
 - VLAN
 - VLAN Priority

See [Table 2](#) for item descriptions.

To configure the DLC410, perform the following steps:

1. From a browser window, enter the IP address of the DL Manager that manages the module.
The Home page appears.
2. From the Home page menu bar, click **Shelf View**.
The Shelf View page appears, which shows the rear chassis panel along with the Installed Modules table.
3. From the Installed Modules table, click the **DLC410** link listed in the Module Type column.
The Module Status page appears, which shows the module's current configuration and alarm conditions if any exist.
4. From the menu bar, click **Configuration**.
The Configuration page appears.

5. Configure the module operation as follows (click ? for related online help):
- From the Module Settings pane, configure the module settings as described in [Table 2](#).

Table 2. Module Settings

Item	Description
IP Address	<p>DLC410 IP address. This address responds to Internet Control Message Protocol (ICMP) echo requests (pings) and is the source IP address of video transmissions. Enter a value using dotted-decimal format (for example, 10.10.10.1).</p> <p>Note: The module IP address is independent of the video Destination IP Address that you configure for the transmitter and the video Source IP Address that you configure for the receiver.</p>
Netmask	Subnet mask for the DLC410 IP address (for example, 255.255.0.0).
Gateway	Network gateway IP address. If the network does not have a gateway, leave this field blank.
Auto-Negotiate	<p>Auto-negotiate function for the DLC410 Ethernet interfaces, which are set to operate at 1 GbE, full-duplex only. Choose one of the following:</p> <ul style="list-style-type: none"> Enable—The DLC410 does the following: <ul style="list-style-type: none"> Auto-negotiates a link with another device set to auto-negotiate and 1 GbE, full-duplex. Attempts to link with a device that is not set to auto-negotiate. <p>Note: Even when a link appears to be made, the DLC410 does not reliably transfer data.</p> Disable—The DLC410 does the following: <ul style="list-style-type: none"> Establishes a link with another device that is not set to auto-negotiate but is set to 1 GbE, full duplex. Attempts to link with another device that is set to auto-negotiate. <p>Note: Even when a link appears to be made, the DLC410 does not reliably transfer data.</p>
VLAN	<p>VLAN operating state. When enabled, the DLC410 appends the specified VLAN ID to the outgoing Ethernet frames. Choose one of the following:</p> <ul style="list-style-type: none"> Enable Disable
VLAN ID	<p>VLAN identifier that the DLC410 appends to the outgoing Ethernet frames. Enter a value from 0 to 4095.</p> <p>Note: This parameter requires the VLAN setting to be Enable.</p>
VLAN Priority	<p>Class of service (CoS), or traffic prioritization, assigned to the traffic on the VLAN. Enter a value from 0 to 7, with 0 being the lowest priority and 7 the highest.</p> <p>Note: This parameter requires the VLAN setting to be Enable.</p>

Table 2. Module Settings (Continued)

Item	Description
Video Mode	Video mode for Channels A and B. Choose one of the following: <ul style="list-style-type: none"> • ASI • SD/SDI
Video Alarm	Video alarm operating state. When enabled, the DLC410 issues an alarm when the active video signal is lost. Choose one of the following: <ul style="list-style-type: none"> • Enable • Disable
SFP Alarm	SFP alarm operating state. When enabled, the DLC410 issues an alarm when the SFP is not installed. Choose one of the following: <ul style="list-style-type: none"> • Enable • Disable

- From the Receiver Channel A and B panes, configure the receiver settings as described in [Table 3](#).

Table 3. Receiver Channel Settings

Field	Description
Receiver	Operating state of the receivers for Channels A and B. When enabled, the DLC410 can receive video on the associated channel. Choose one of the following: <ul style="list-style-type: none"> • Enable • Disable
Source IP Addr	IP address of the source DLC410 or SMPTE 2022-based Ethernet transmitter. Enter a value using dotted-decimal format (for example, 10.10.10.1).
Multicast Group	Special IP multicast group address that the DLC410 is to receive traffic from during multicast reception. Enter a value using dotted-decimal format (for example, 10.10.10.1).
Port	Logical TCP/IP port address on which the DLC410 receives IP packets. Enter a value from 1 to 65535 .
Recovery Buffer	Size of the buffer that handles late arriving and misordered packets. The ability of the DLC410 to handle late or misordered buffers increases with the size of the buffer. Choose one of the following: <ul style="list-style-type: none"> • Sm (small) • M (medium) • Lg (large) Recovery buffer size and FEC Mode settings determine DLC410 latency.

- From the Transmitter Channel A and B panes, configure the transmitter settings as described in [Table 4](#).

Table 4. Transmitter Channel Settings

Field	Description
Transmitter	<p>Operating state of the transmitters for Channels A and B. When enabled, the DLC410 can transmit video on the associated channel. Choose one of the following:</p> <ul style="list-style-type: none"> Enable Disable
Video Source	<p>Source connection that the DLC410 uses for the video that it receives and processes. Choose one of the following:</p> <ul style="list-style-type: none"> Backplane chassis slot. The available choices depend on the host chassis type as follows: <ul style="list-style-type: none"> For DL4000, displays backplane slots 1–4. For DL4360x and DL4300, displays backplane slots 1–4, 5–8, or 9–12. BNC IN connector—InA or InB depending on the channel being configured.
Destination IP Addr	IP address of the destination DLC410 or SMPTE 2022-based Ethernet receiver. Enter a value using dotted-decimal format (for example, 10.10.10.1).
Port	Logical port address on which the DLC410 transmits IP packets. Enter a value from 1 to 65535 .
Type of Service	Type of service (ToS) bits for the data that the DLC410 transmits. ToS specifies the IP priority level with which to route traffic through the IP network to the destination device. Enter a value from 0 to 7 . The higher the value, the better the service.
FEC Mode	<p>Forward error correction (FEC) settings. Choose one of the following:</p> <ul style="list-style-type: none"> Col—Enables column FEC in which packets are mapped into columns. In the Column field, specify the number of columns. Valid ranges are as follows: <ul style="list-style-type: none"> 1 to 1023 (this is the entire valid range). 1 to 1020 for interoperability. 4 to 1020 for interoperability when using RowColumn FEC. RowCol—Enables row/column FEC in which packets are mapped into a matrix of rows and columns. In the Column and Row fields, specify the number of columns and rows. The maximum matrix size allowed is as follows: <p style="text-align: center;">ROW X Col = 1500</p> None—Disables FEC. <p>The FEC Mode and Recovery Buffer settings determine DLC410 latency.</p>

Table 4. Transmitter Channel Settings (Continued)

Field	Description
ASI Bandwidth Limit	(ASI mode only) Maximum ASI bandwidth allowed. If the bandwidth exceeds the specified limit, the traffic is throttled. Enter the ASI bandwidth limit.
M2TS Packing	<p>(ASI mode only) Number of MPEG-2 Transport Stream (M2TS) frames per IP frame.</p> <p>Inserting a small number of M2TS frames per IP frame minimizes the amount of lost video frames when an IP frame is dropped or corrupted; however, this packing method reduces bandwidth efficiency because of the overhead associated with the additional IP frames required to transport a set amount of M2TS frames.</p> <p>Inserting a large number of M2TS frames per IP frame increases the possibility of losing larger amounts of video frames for each dropped or corrupted IP frame; however, this packing method increases bandwidth efficiency because it takes fewer IP frames to transport a set amount of M2TS frames.</p> <p>Choose one of the following values:</p> <ul style="list-style-type: none"> • 1—Least efficient use of bandwidth but least susceptible to lost video when IP frames are dropped or corrupted. • 4—Moderately efficient use of bandwidth and moderately susceptible to lost video. • 7—Most efficient use of bandwidth but greatest susceptibility to lost video when IP frames are dropped or corrupted.

6. Click one of the following buttons:

- **Submit**—Saves the displayed configuration information.
- **Reload Page**—Ignores any modifications that you made and reloads the module's current configuration.

Labeling the DLC410 Interfaces

You can assign custom labels and descriptions to each of the DLC410 input and output interfaces, which makes it easier for you to track the source and destination of the traffic that is routed through the DLC410.

To assign labels to the DLC410 interfaces, perform the following steps:

1. From the DL Manager client device, access the DL Manager home page (see the *DigiLink Manager Setup and Operations Manual*).
2. From the DL Manager home page, click **Shelf View**.
The Shelf View page appears, which displays a table of the installed function modules, including the installed DLC410 modules.
3. From the Module Type column of the Shelf View page, click the DLC410 to configure.
The DLC410 Module Status page appears, displaying the module's current configuration.

4. From the DLC410 Module Status page, click **Edit Labels**.
The DLC410 Edit Labels page appears.
5. Define a label and description for each interface as follows using the specified number of alphanumeric characters (special characters are permitted):
 - **Name**—16 characters maximum.
 - **Description**—40 characters maximum.
6. Click one of the following buttons:
 - **Submit**—Saves the displayed label information.
 - **Reset**—Resets the information that you modified back to its previous value.

Monitoring the DLC410 Module Operation

You can monitor the DLC410 operations locally using the front panel LEDs and monitor connector or remotely using DL Manager.

This section contains the following topics:

- [Monitoring the DLC410 Status Using the Front Panel \(page 16\)](#)
- [Monitoring the DLC410 Status Using DL Manager \(page 18\)](#)
- [Monitoring the DLC410 Statistics Using DL Manager \(page 21\)](#)
- [Monitoring the DLC410 Diagnostics Data Using DL Manager \(page 22\)](#)

Monitoring the DLC410 Status Using the Front Panel

This section describes how to monitor the DLC410 operations using the front panel LEDs and the monitor connector.

Figure 6. DLC410 Status LEDs and Monitor Connector



This section contains the following topics:

- [Understanding the Status LEDs \(page 17\)](#)
- [Using the Monitor Jack \(page 18\)](#)

Understanding the Status LEDs

Table 5 describes the different states of the DLC410 status LEDs as shown in Figure 6.

Table 5. DLC410 Status LEDs

LED	Indicates ...	State	Description
OK (also located on the rear panel (see Figure 5))	DLC410 module status	Off	If power is applied to the system, an internal fault with the DLC410 may exist.
		Green	Normal operation.
		Yellow	Minor alarm condition exists.
		Red	Major alarm condition exists.
SDI	Detected video type	Off	ASI operating mode.
		Green	SDI operating mode.
TX	SFP transmitter status	Green	Normal operation; optical output on, able to send IP traffic.
		Red	SFP Tx fault detected (major alarm).
		Red (flashing)	SFP not installed.
RX	SFP receiver status	Green	Normal operation; incoming Rx signal detected.
		Yellow (flashing)	Optical Rx power too high.
		Red (flashing)	Optical Rx SFP power too low/LOS or SFP not installed.
ACT (also located on the rear panel (see Figure 5))	SFP Ethernet activity status	Off	No Ethernet link detected.
		Green	Ethernet link present.
		Green (flashing)	Ethernet link activity detected.
IN A and B	TX channel status	Off	Channel is disabled.
		Green	Video is received.
		Yellow	No signal detected.
		Red	Improper video input.
		Red (flashing)	DVB-ASI rate limited.

Table 5. DLC410 Status LEDs (Continued)

LED	Indicates ...	State	Description
OUT A and B	RX channel status	Off	Channel is disabled.
		Green	Video is received.
		Green (flashing)	Successful FEC.
		Green/Red (alternate)	Unsuccessful FEC.
		Yellow	Provisioned but not receiving IP packets.
		Red	Improper video input.

Using the Monitor Jack

You can monitor the video that the DLC410 receives or transmits by using the front panel monitor port and associated Channel Select push button switch.

To connect a monitor the DLC410 to view the transmit and receive signals on Channels A and B, perform the following steps:

1. Connect the monitor cable between the monitor and the 75 Ohm HD-BNC monitor jack located on the DLC410 front panel (see [Figure 6](#)).
2. Push the **CHANNEL SELECT** button switch to sequentially monitor each channel's receive and transmit signals. When you push the switch, the selected signal's front panel LED blinks for 5 seconds to show which channel is being monitored. To advance to the next signal, push the switch again while it is blinking.

Note: The CHANNEL SELECT button switch can also be used to reboot the DLC410 (see the ["Rebooting the DLC410 Module" section on page 22](#)).

Monitoring the DLC410 Status Using DL Manager

DL Manager's DLC410 Module Status page provides a detailed view of the DLC410 module's current configuration and operating status, including the operating states of channels A and B and any detected alarm conditions.

Note: Each of the reported parameter values has either been *assigned* or *installed* as part of the manufacturing process, *detected* by the DLC410, or *configured* by you. For more information about the configured parameters, see the ["Configuring the DLC410 Module" section on page 11](#).

To display the DLC410 Module Status page, perform the following steps:

1. From the DL Manager client device, access the DL Manager home page (see the *DigiLink Manager Setup and Operations Manual*).
2. From the DL Manager home page, click **Shelf View**.

The ShelfView page appears, which displays a table of the installed function modules, including the installed DLC410 modules.

- From the Module Type column of the Shelf View page, click the DLC410 to configure. The DLC410 Module Status page appears, displaying the module's current configuration and operations.

See the following sections for information about each pane in the DLC410 Module Data page:

- [Current Configuration Pane \(page 19\)](#)
- [Channels A and B Status Panes \(page 19\)](#)
- [Alarms Pane \(page 20\)](#)
- [SFP Status \(page 20\)](#)
- [Routing Labels Status \(page 20\)](#)

Current Configuration Pane

[Table 6](#) describes the content of this pane.

Table 6. Current Configuration Status

Field	Description
Video Mode	Mode setting: ASI or SDI .
SFP Alarms	Alarm operating state: Enabled or Disabled .
Video Alarms	Alarm operating state: Enabled or Disabled .
Backplane outputs	Receiver backplane output slot number: <ul style="list-style-type: none"> • Slots 1–12 (DL4360x and DL4300 chassis) • Slots 1–4 (DL4000 chassis)

Channels A and B Status Panes

[Table 7](#) describes the content of this pane.

Table 7. Channels A and B Status

Field	Description
IP Link	IP link status: <ul style="list-style-type: none"> • OK—Link established. • NONE—No link established.
Receive Video	Video receive status: <ul style="list-style-type: none"> • DISABLED—Receive function disabled. • ENABLED—Receive function enabled. • NOT DETECTED—Video not detected.
Video Input	Video input status: <ul style="list-style-type: none"> • DETECTED—Video input detected. • NOT DETECTED—Video input not detected.

Table 7. Channels A and B Status

Field	Description
Transmit Video	Transmit video state: <ul style="list-style-type: none"> • LOCKED—Signal is received or transmitted. • UNLOCKED—Indication that the input signal rate is outside the standard rate requirements or the signal type does not match the selected mode. • DISABLED—No video data can be received or transmitted.
Transmit Source	Transmit source connection: <ul style="list-style-type: none"> • BNC—Rear panel BNC. • Slot number port number—Backplane selection (for example, Slot 1 port C)

Alarms Pane

[Table 8](#) describes the content of this pane.

Table 8. Alarms Status

Field	Description
Major Alarms	Detected major alarms (if any).
Minor Alarms	Detected minor alarms (if any).

SFP Status

[Table 9](#) describes the content of this pane.

Table 9. Optical Status Pane

Field	Description
Model Number	SFP model number.
Wavelength/Cable Type	Wavelength in nm or Cable Type CAT 5.
Serial Number	SFP serial number.
SFP Type	SFP information depending on SFP type: <ul style="list-style-type: none"> • Copper SFP: Copper SFP present • Optical SFP: <ul style="list-style-type: none"> – RX power in dBm – TX power in dBm

Routing Labels Status

The Routing Labels pane displays each of the module's I/O connections and any custom label or description assigned to each one. For information about configuring the labels, see the [“Labeling the DLC410 Interfaces” section on page 15](#).

Monitoring the DLC410 Statistics Using DL Manager

The DL Manager's DLC410 Statistics page provides a detailed statistical analysis of the DLC410 video processing operations, including information that the DLC410 compiles for the SDI video signals that it receives on Channel A and Channel B.

To display the module DLC410 statistical data, perform the following steps:

1. From the DL Manager client device, access the DL Manager home page (see the *DigiLink Manager Setup and Operations Manual*).
2. From the DL Manager home page, click **Shelf View**.

The Shelf View page appears.

3. From the Module Type column of the Shelf View page, click the DLC410 that has the statistical data that you want to view.

The DLC410 Module Status page appears.

4. From the main menu, click **Statistics**.

The DLC410 Statistics page appears. [Table 10](#) describes the information that displays.

Table 10. DLC410 Channel Statistics

Field	Description
Module Statistics	
Rejected RTP Packet Count	Number of rejected Real-time Transport Protocol (RTP) packets. The most common cause of packets being rejected is when the ports between the transmitter and receiver devices are not configured correctly. Note: To reset the rejected RTP packet counter, click Reset .
Receive Channel Statistics	
Video Packet Count	Number of received packets since the channel began receiving video.
Row FEC Packet Count	Number of received row FEC packets since the channel began receiving video.
Col FEC Packet Count	Number of received Column FEC packets since the channel began receiving video.
Uncorrected Video Packets	Number of FEC uncorrected errors since the channel began receiving video.
Corrected Video Packets	Number of FEC corrected errors since the channel began receiving video.
Transmit Channel Statistics	
SD SDI	(SDI only) Indicator that the DLC410 is configured to process SDI video.
ASI Rate	(ASI only) Indicator that the DLC410 is configured to process ASI video and is transmitting the packets at the rate shown.

5. (Optional) To update the displayed data at any time, click the browser's **Refresh** button.

Monitoring the DLC410 Diagnostics Data Using DL Manager

The DL Manager's DLC410 Diagnostic page displays information related to the module hardware and the detected internal voltage readings.

To display the module DLC410 diagnostics information, perform the following steps:

1. From the DL Manager client device, access the DL Manager home page (see the *DigiLink Manager Setup and Operations Manual*).

2. From the DL Manager home page, click **Shelf View**.

The Shelf View page appears.

3. From the Module Type column of the Shelf View page, click the DLC410 that has the diagnostics information that you want to view.

The DLC410 Module Diagnostics page appears.

4. From the main menu, click **Diagnostics**.

The DLC410 Diagnostics page appears. For details about the information that displays, see the *DigiLink Manager Setup and Operations Manual*.

5. (Optional) To force a refresh of the displayed data, click **Refresh Data from Module**.

6. (Optional) To initiate a warm start of the DL Manager agent, click **Restart Module Management Agent**.

Rebooting the DLC410 Module

You can reboot the DLC410 module, which does not affect the current module configuration. You may need to reboot the module to ensure that it is operating with the latest saved configuration.

To reboot the module, press and hold the **CHANNEL SELECT** button switch located on the DLC410 front panel (see [Figure 6](#)) for 5 seconds.

Removing the SFP and DLC410 Module

You can safely remove either the SFP from the DLC410 or the DLC410 from the host chassis while power is applied to the module.

This section contains the following topics:

- [Removing the SFP \(page 23\)](#)
- [Removing the DLC410 Module \(page 23\)](#)

Removing the SFP

To remove the SFP from the DLC410, perform the following steps:

1. Remove the IP network cables from the SFP.
2. Pull down on the SFP handle to dislodge the SFP from the DLC410.
3. Using the SFP handle, pull the SFP out of the module.

Removing the DLC410 Module

To remove the DLC410 from the host chassis, perform the following steps:

1. Remove the IP network cables from the DLC410 SFP.
2. Remove the video network coaxial cables from the BNC connectors.
3. Loosen the two mounting screws that secure the DLC410 to the host chassis.
4. Using the two mounting screws, pull the DLC410 out of the host chassis.

Caution

To avoid problems associated with overheating, do not leave a function module slot open when power is applied to the chassis. Every module slot must contain a module or blank tray to ensure proper ventilation when power is applied.



Index

A

audience [ix](#)

B

backplane connector [7](#)

block diagram [2](#)

BNC connectors [6](#)

C

cable interfaces [10](#)

caution definition [x](#)

Channel Select switch [7](#)

channel statistics, monitor [21](#)

configure operations [11](#)

conventions [x](#)

Customer Service [x](#)

D

decapsulation [4](#)

DL Manager

channel statistics [21](#)

configure module [11](#)

monitor module [18](#)

E

e-mail address, Customer Service [x](#)

encapsulation [3](#)

F

functional description [2](#)

I

input

from IP network [4](#)

from video network [3](#)

interfaces, label [15](#)

Internet Protocol version 4 (IPv4) [5](#)

L

label interfaces [15](#)

LEDs

front panel [7](#)

rear panel [7](#)

status [16](#)

M

module

cable [10](#)

components [6](#)

configure [11](#)

install [8](#)

monitor

using DL Manager [18,21](#)

using status LEDs [16](#)

reboot [22](#)

remove [23](#)

monitor jack [18](#)

monitor operations [16](#)

monitor output jack [7](#)

N

network connection, required information [11](#)

O

operations, monitor [16](#)

output

to IP network [3](#)

to video network [4](#)

R

reboot module [22](#)

related documentation [ix](#)

return authorization (RA) number [x](#)

S

SFP

cable [10](#)

socket [6](#)

shipment, damaged [x](#)

status LEDs [16](#)

symbols [x](#)

V

video processing

decapsulation [4](#)

encapsulation [3](#)

W

warning definition [x](#)

Proven Products, Unrivaled Service, and Great Support



- Proven technology in a rugged, reliable package
- Supports all formats across all networks
- Intuitive and simplified user interfaces
- Integrated, modular, and flexible
- Compact and low power
- Off-the-shelf delivery
- Network requirements analysis and design services
- Training and installation support available
- 24x7x365 technical support available



Artel Video Systems Corp.
5B Liberty Way, Westford, MA 01886 USA
T: 978-263-5775 | F: 978-263-9755
Sales: sales@artel.com
Technical Support: customer@artel.com
www.artel.com

All specifications subject to change without notice.
©2016